

Elizabeth Jordan, (Jenny) Xiaojie Hu
Team 2
16.810
January 28, 2004

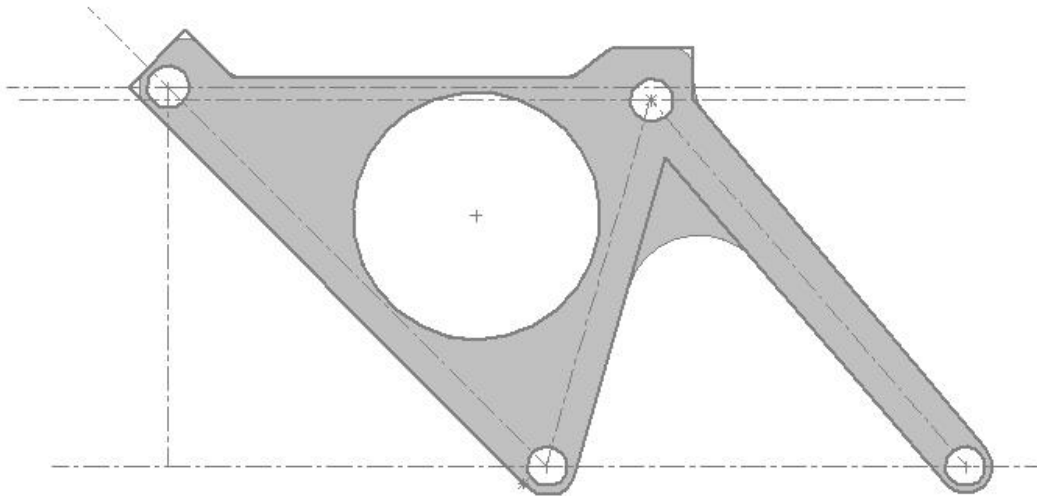


Figure 1: Family Deluxe Version 2 Design

	Requirement	Design Result
Mass	0.25 lbs	0.241 lbs
Cost	\$4.70	\$4.68
Displacement- hole 1	0.0630 mm	.0581 mm
Displacement- hole 2	0.010 mm	.00764 mm
Frequency	463 Hz	544 Hz