

MIT OpenCourseWare
<http://ocw.mit.edu>

6.033 Computer System Engineering
Spring 2009

For information about citing these materials or our Terms of Use, visit: <http://ocw.mit.edu/terms>.

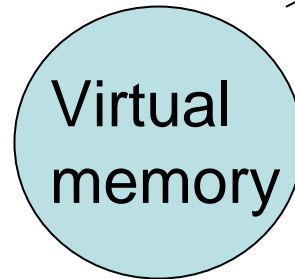
Enforcing Modularity

Client / Service

module per computer

module per virtual computer

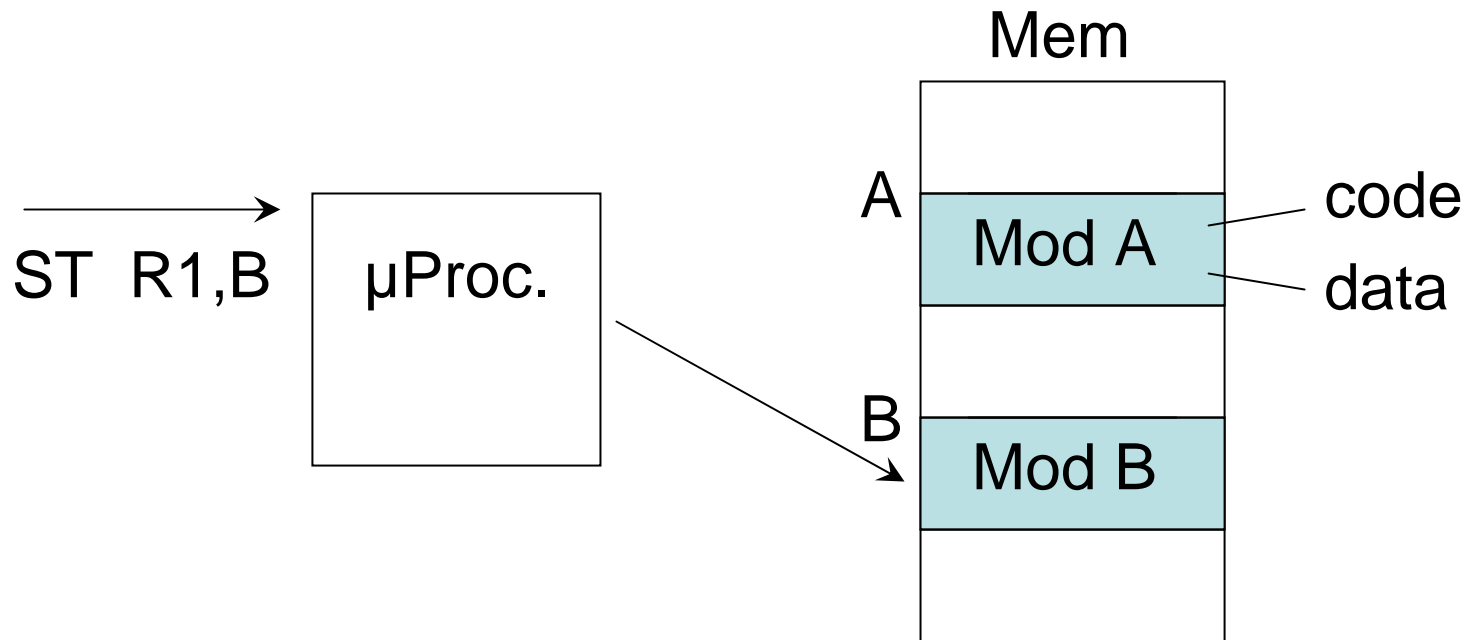
Kernel



Virtual
processor

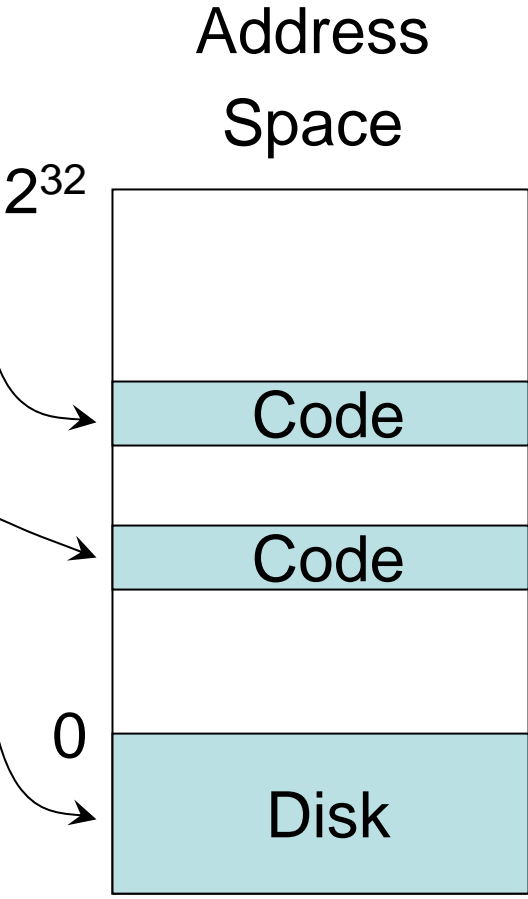
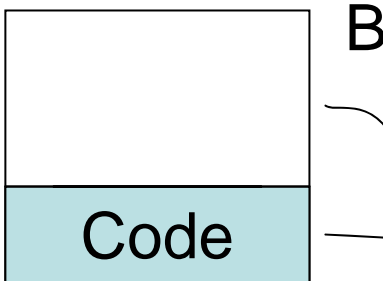
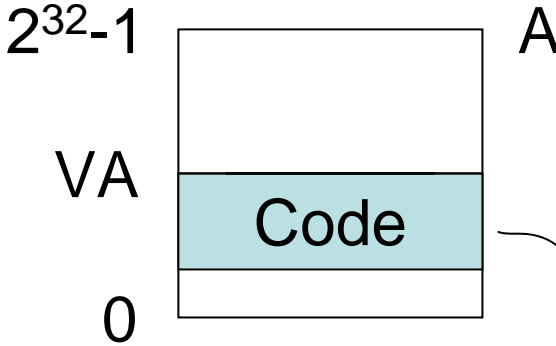
Why VM:

- A can overwrite B's memory

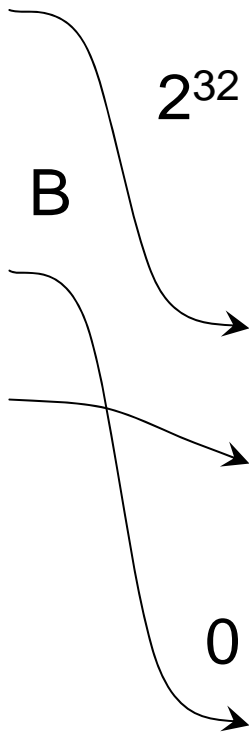


Virtual Memory

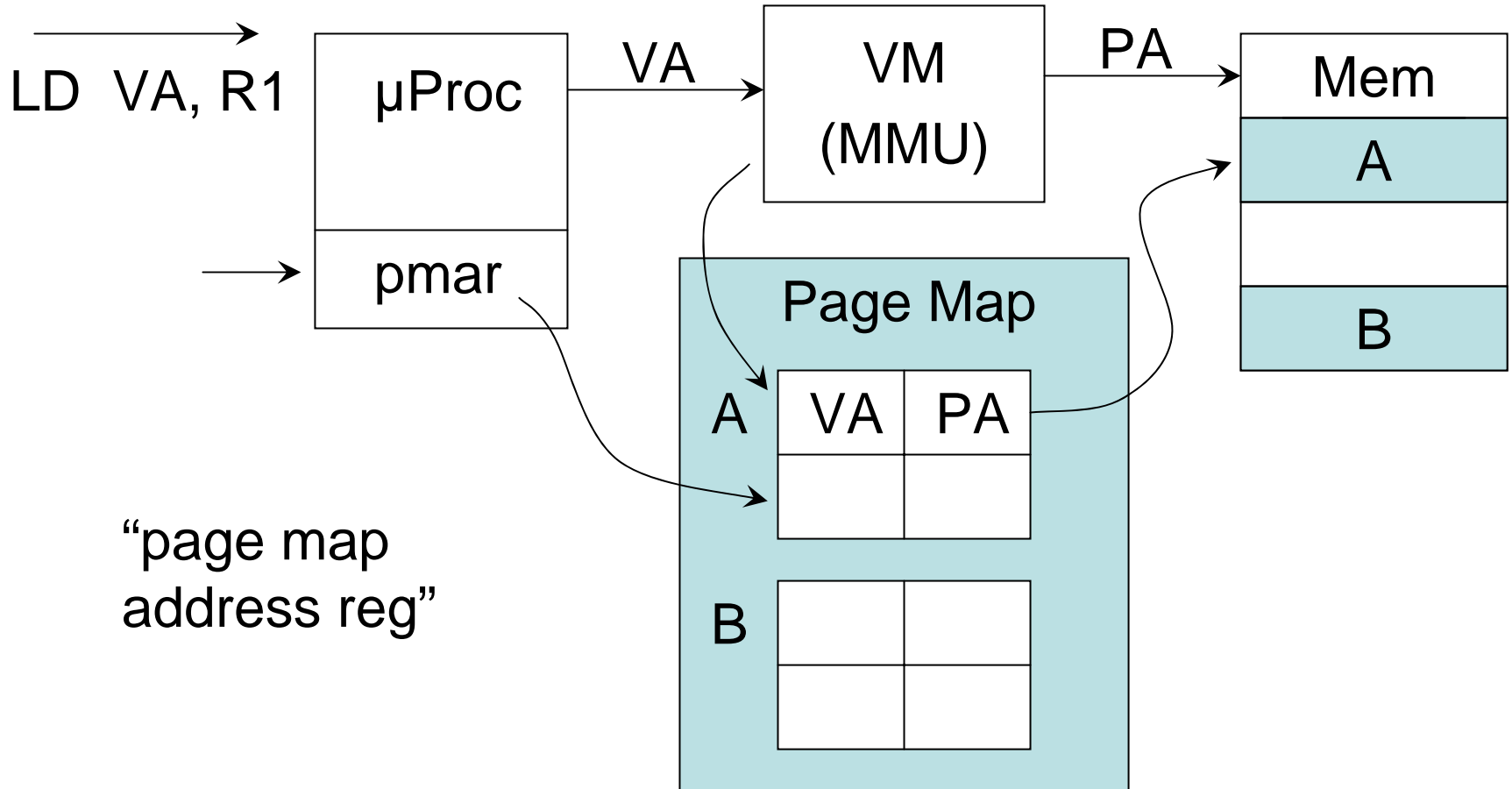
VA → VM → Physical Addr

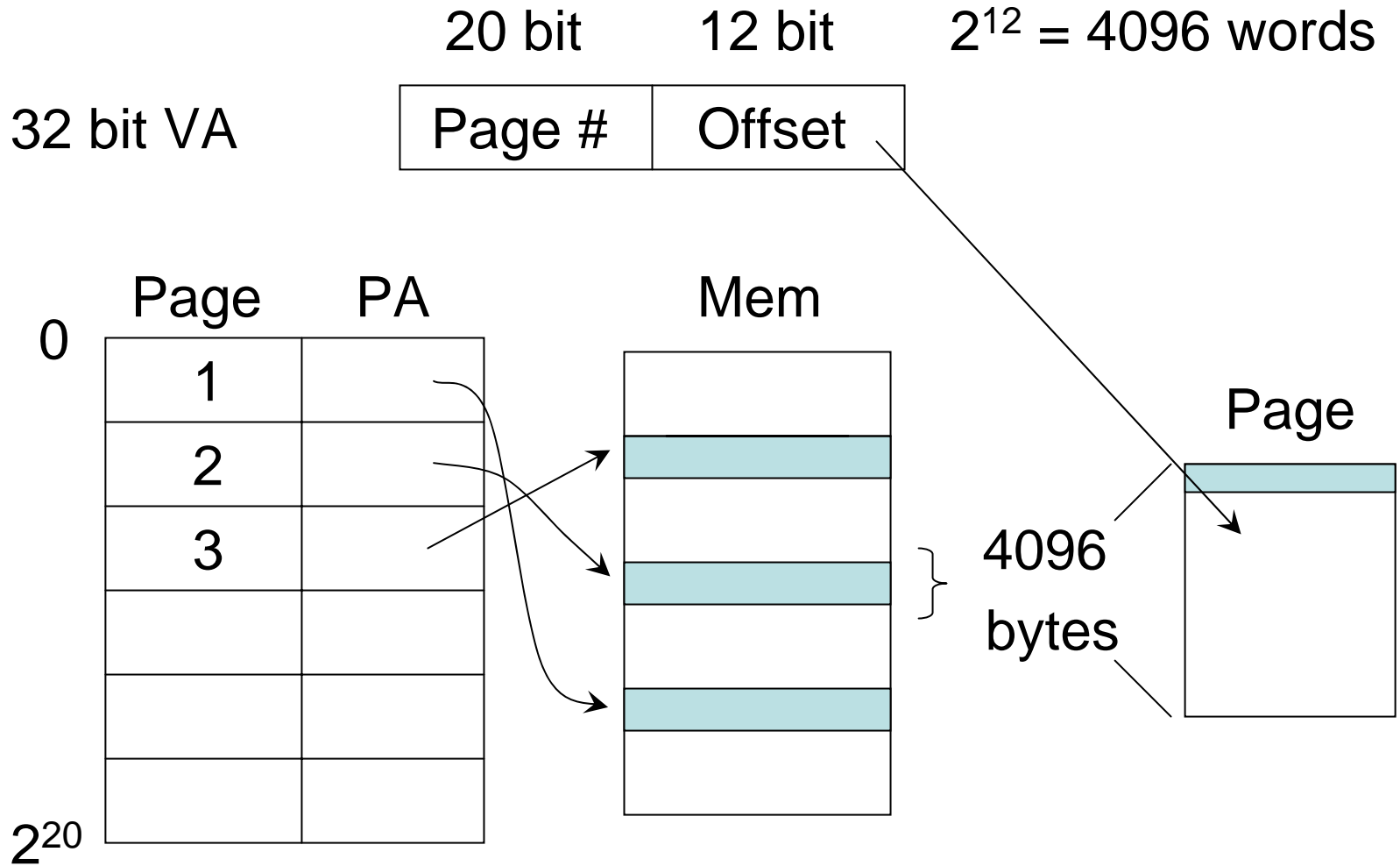


Memory

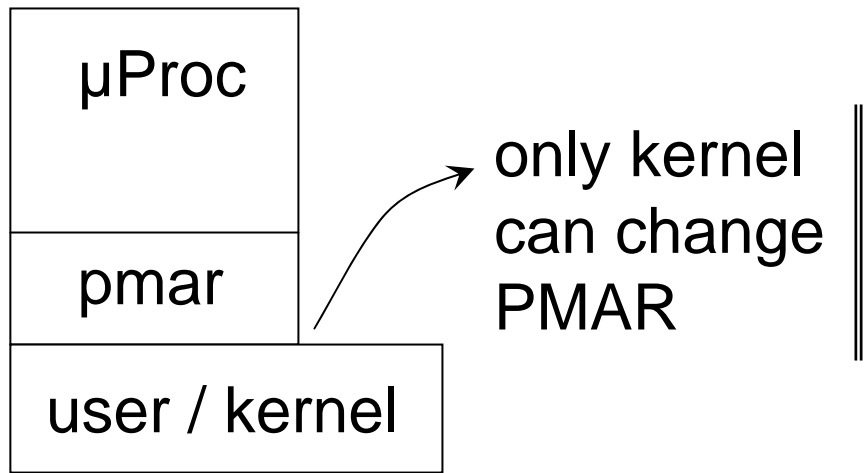


Simplified VM Hardware

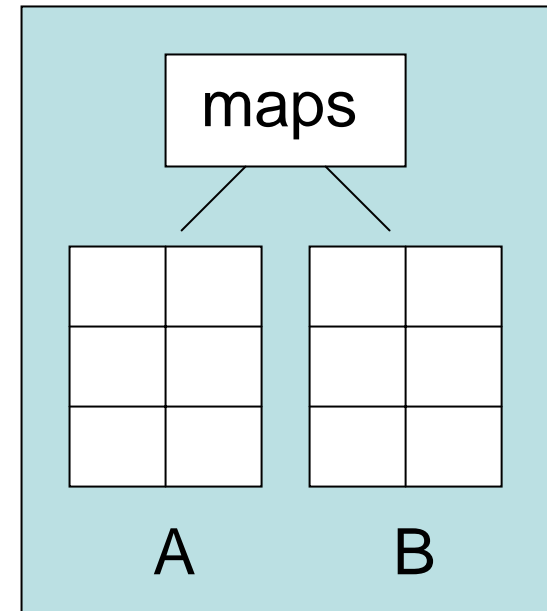




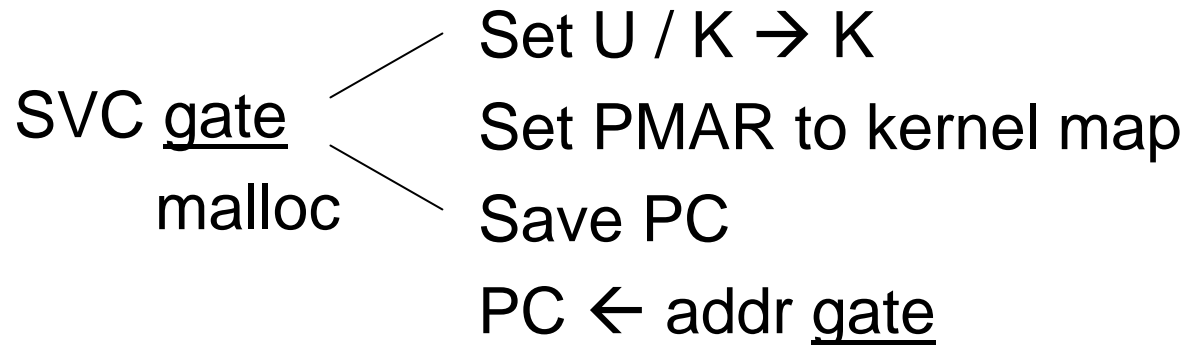
Supervisory Module - Kernel



Kernel AS



Supervisor Call - SVC



Kernel – Trusted intermediary

