

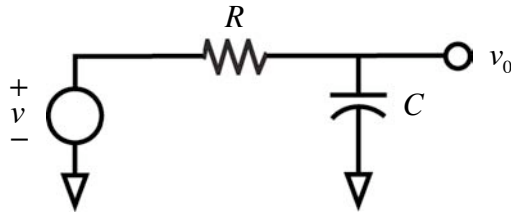
## 6.301 Solid State Circuits

Recitation 5: Miller Effect

Prof. Joel L. Dawson

---

With regards to high-frequency amplifiers, or high-speed circuits in general, capacitance is bad news. One way to think about this is to realize that with “high-speed” circuits, we’re often talking about how to make the voltage at a given node change rapidly:



That is, we want  $\left| \frac{dv_0}{dt} \right|$  to be large. What keeps this from happening? Writing *KCL*:

$$\frac{v - v_0}{R} = C \frac{dv_0}{dt} \Rightarrow \left| \frac{dv_0}{dt} \right| = \frac{|v - v_0|}{RC}$$

Our options are:

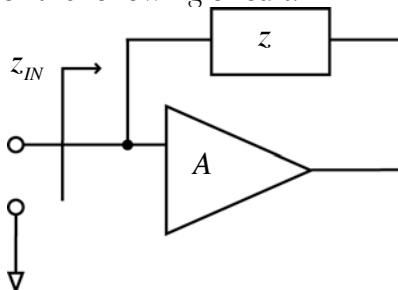
- 1) Increase  $|v - v_0|$
- 2) Decrease  $R$
- 3) Decrease  $C$

In general, we can't use (1) as a good design strategy because large  $|v - v_0|$  all the time implies significant attention between  $v$  and  $v_0$ . That leaves us often managing the  $RC$  product whichever way we can.

How do we “manage” the  $RC$  product? Minimize  $R$ , minimize  $C$ , of course. But when there is gain between various nodes in a circuit, managing capacitance also means that we make sure the Miller effect doesn't hurt us.

CLASS EXERCISE: Miller Effect

1) Compute the input impedance for the following circuit:



## 6.301 Solid State Circuits

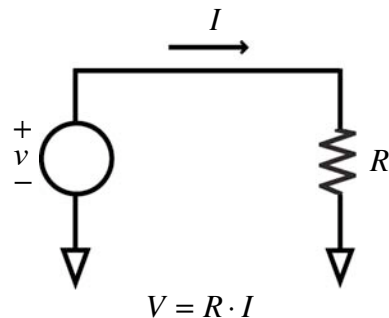
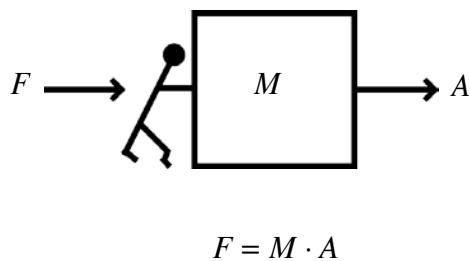
Recitation 5: Miller Effect

Prof. Joel L. Dawson

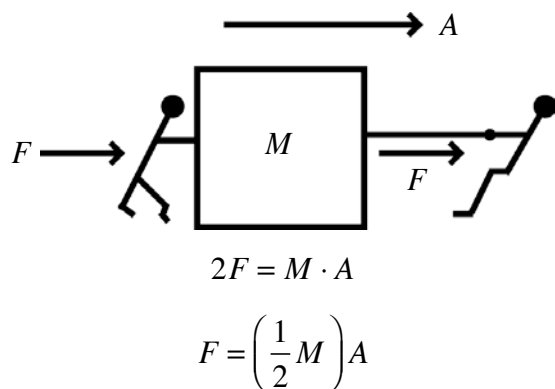
2) Simplify your result for the case of  $A = +1$ .

(Workspace)

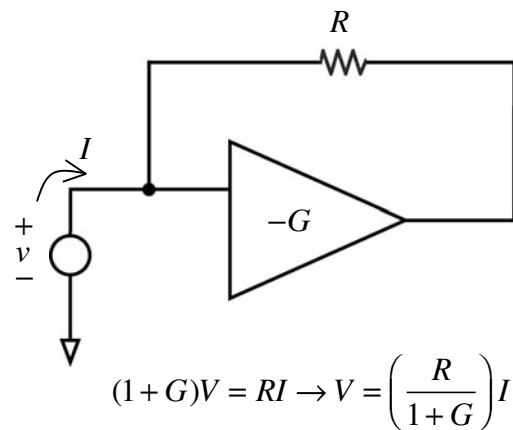
There's a mechanical analog to the Miller effect. Suppose you came upon a large block sitting on a frictionless surface. One way to figure out its mass would be to give it a well-defined push and then observe its acceleration.



Now suppose that unbeknownst to you, someone on the other side knew, at all times, what force you would apply, and used that information to apply a force himself. It would distort your perception of the mass of the block!



Mass seems smaller!

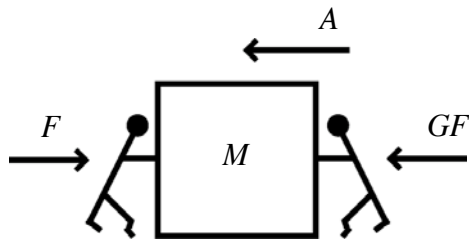


Resistance seems smaller!

## 6.301 Solid State Circuits

Recitation 5: Miller Effect

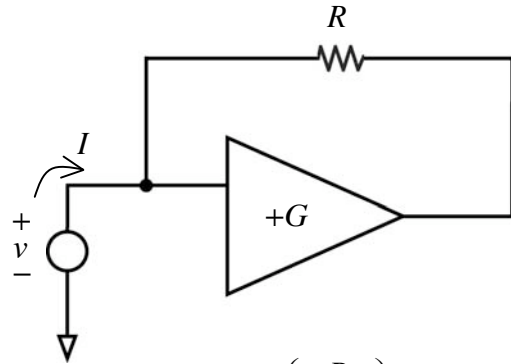
Prof. Joel L. Dawson



$$(1 - G)F = MA$$

$$F = \left( \frac{M}{1 - G} \right) A$$

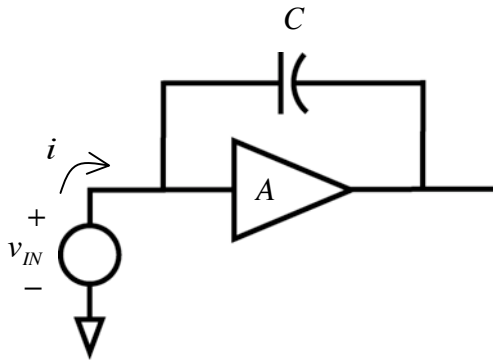
Mass seems negative!



$$V = \left( \frac{R}{1 - G} \right) I$$

Resistance seems negative!

In circuits, the Miller effect can have a significant impact on the bandwidth of our final designs. First, let's specify our result for capacitors.



$$i = \frac{v_{IN}(1 - A)}{1/Cs}$$

$$\frac{v_{IN}}{i} = \frac{1}{(1 - A)Cs}$$

So if  $A$  is negative, our voltage source “sees” a capacitance that is much larger than  $C$ .

## 6.301 Solid State Circuits

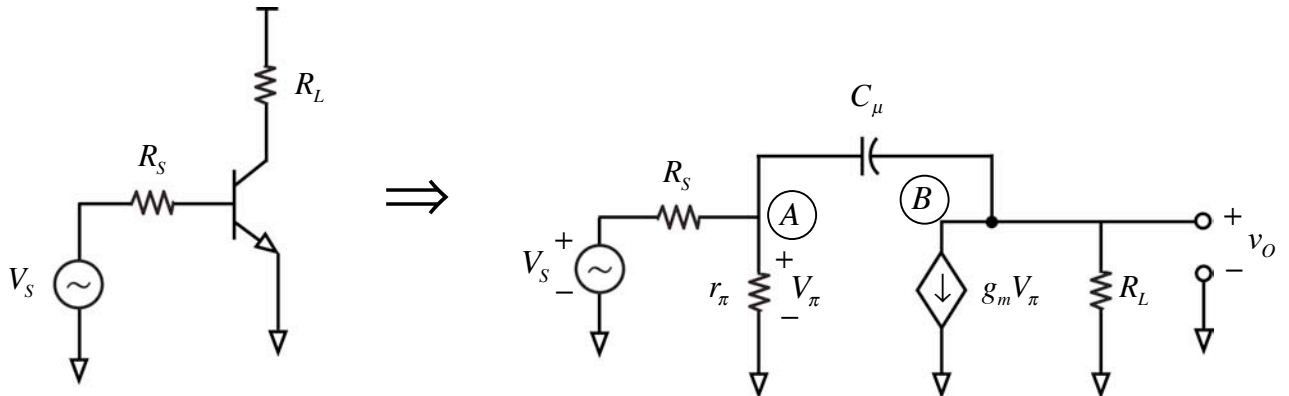
Recitation 5: Miller Effect

Prof. Joel L. Dawson

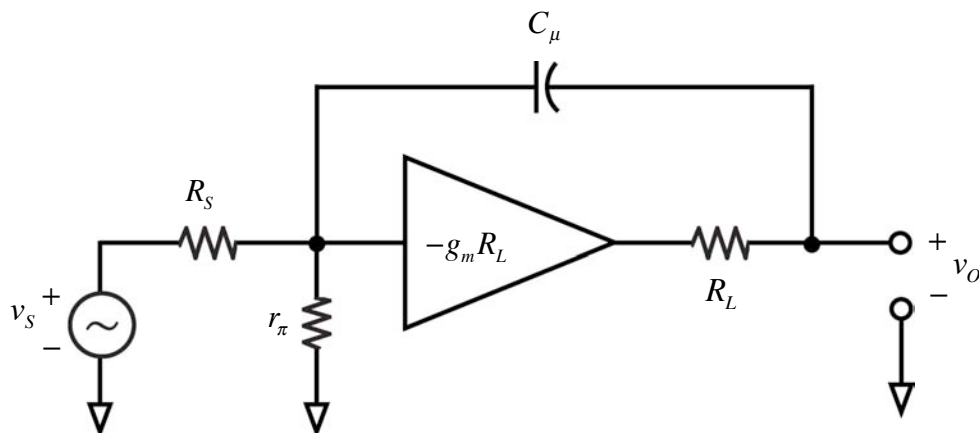
---

Where has this Miller effect shown up in our circuits?

### 1) Common Emitter Amplifier



Significant negative gain between nodes (A) and (B):



Qualitatively, we can look at this diagram and sense trouble.

## 6.301 Solid State Circuits

Recitation 5: Miller Effect

Prof. Joel L. Dawson

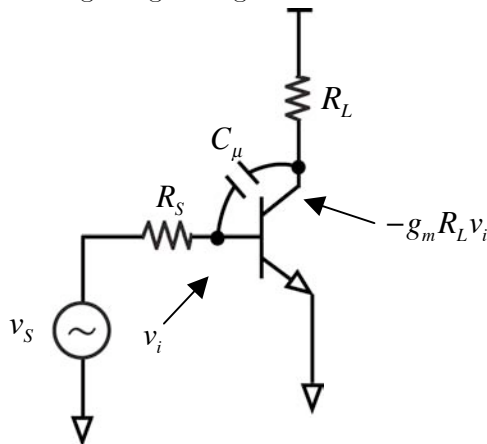
Analytically, the Miller effect shows up in the OCT Calculation:

$$\tau_{\mu 0} = R_{\mu 0} C_{\mu} = \left( R_s \parallel r_{\pi} + R_L + \underbrace{g_m R_L (R_s \parallel r_{\pi})}_{\text{Amplifier gain}} \right) C_{\mu}$$

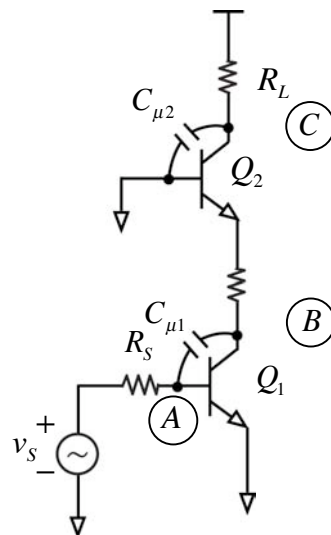
Amplifier gain magnifies the OCT contribution

### 2) Cascode Amplifier Stage

The big drawback with the common emitter stage is that we have a capacitance,  $C_{\mu}$ , connected across a large negative gain:



How does a cascode help to mitigate this? By “managing” the Miller effect!



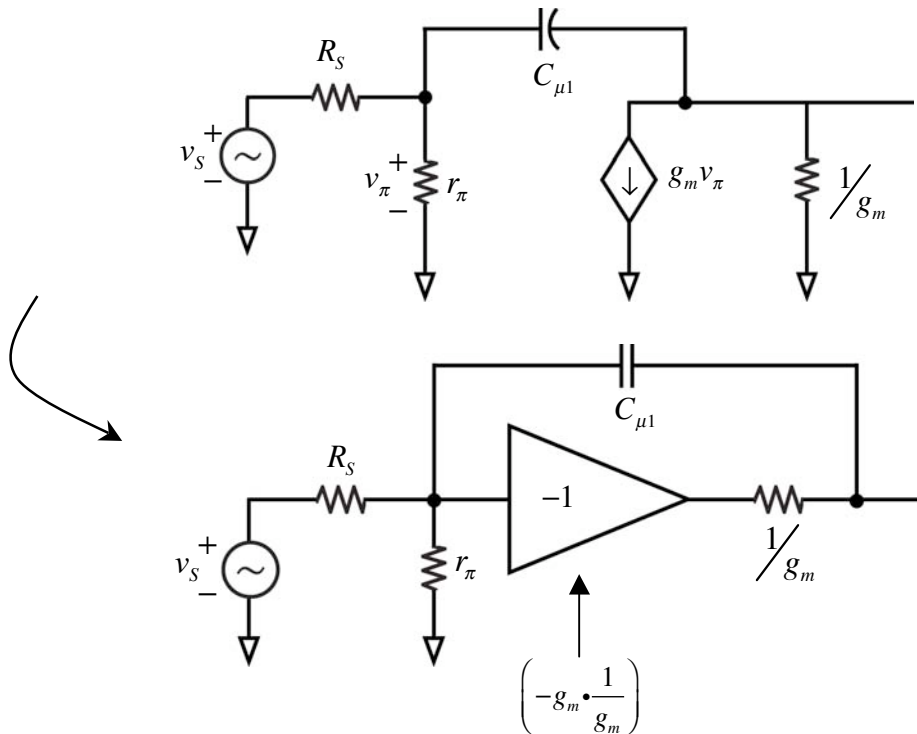
Let's find the gain between points (A) and (B)...

## 6.301 Solid State Circuits

Recitation 5: Miller Effect

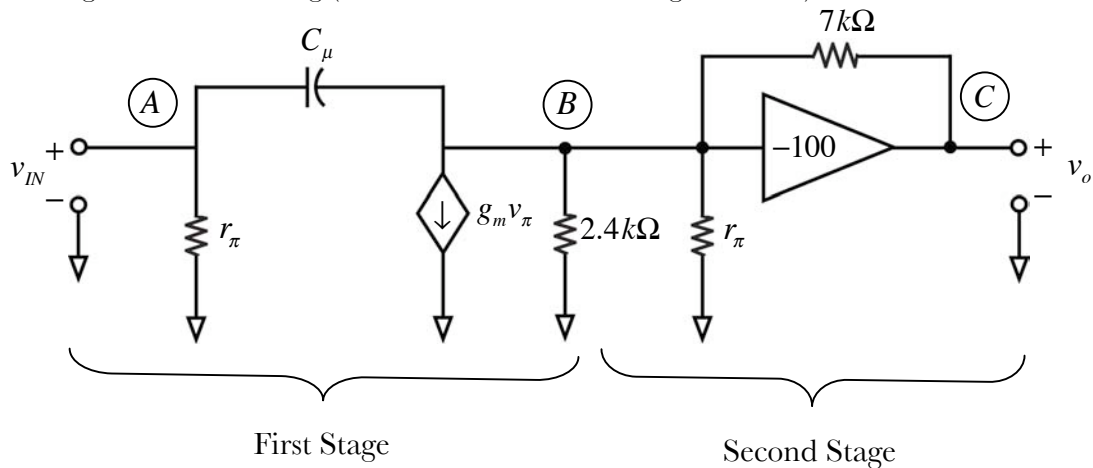
Prof. Joel L. Dawson

Recall that the impedance looking into the emitter of  $Q_2$  is  $\sim 1/g_m$ . For  $Q_1$ , then, we can draw the following small-signal model:



The reason the cascode is a speed improvement is that it separates the two nodes between which there is significant negative gain. There is no single capacitor that bridges the two nodes.

We actually saw something like this with the  $\mu A733$  video amplifier. A differential half-circuit might look something like the following (consider the case of no degeneration):



## 6.301 Solid State Circuits

Recitation 5: Miller Effect

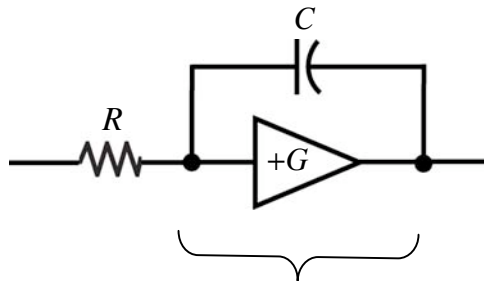
Prof. Joel L. Dawson

---

Node (A) is the input node, node (B) is the virtual ground, and node (C) is the output. Notice how here, as with the cascode, we have managed to avoid having a  $C_\mu$  bridge two nodes between which there is a high negative gain.

Summary:

- 1) Reduce  $R$ s as much as possible.
- 2) Reduce  $C$ s as much as possible.
- 3) Try not to let Miller effect reduce the bandwidth.
- 4) Sometimes, use Miller effect to improve bandwidth.



Little bit of negative capacitance! Use with care.

MIT OpenCourseWare  
<http://ocw.mit.edu>

6.301 Solid-State Circuits  
Fall 2010

For information about citing these materials or our Terms of Use, visit: <http://ocw.mit.edu/terms>.