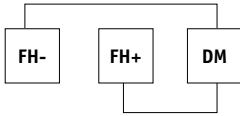




## Results

- Unequal variance, unpaired t-test,  $p < 0.05$

187 / 7129 different



166 / 7129 different

- None significant after Benjamini-Hochberg correction
- 55 intersecting genes
- Many coded for mitochondrial proteins involved in ATP synthesis and oxidative phosphorylation

---

---

---

---

---

---

---

---

---

---

---

---

---

---

---

---

---

---

---

---

---

---

---

---

---

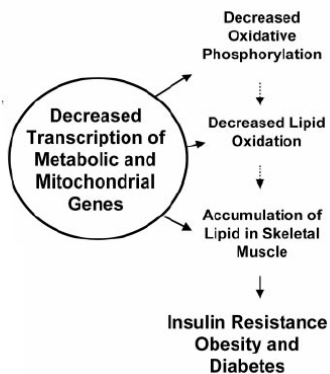
---

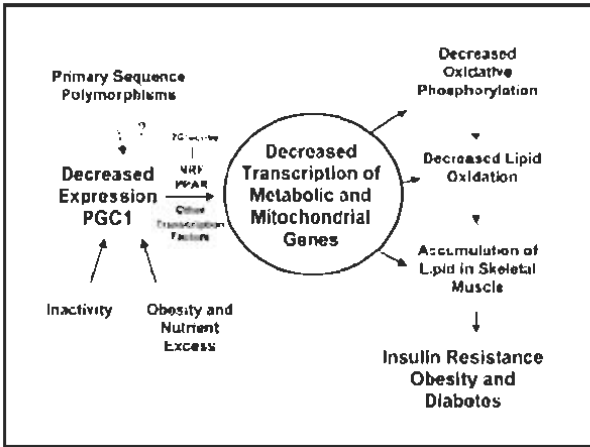
---

---

---

---






---



---



---



---



---



---



---



---



---



---



---



---



---



---

## Web-accessible data

- Great amounts of publicly available microarray data are available on the Internet
- *CardioGenomics Program in Genomic Applications*
  - <http://cardiogenomics.med.harvard.edu/public-data.html>
  - 142 microarrays involving mouse models of cardiac development and signal transduction, including measurements made in time-series.
- *Whitehead Institute Center for Genome Research*
  - <http://www-genome.wi.mit.edu/cgi-bin/cancer/datasets.cgi>
  - Microarrays from 12 publications involving many types of cancer, including some clinical measurements associated with each sample.

---

---

---

---

---

---

---

---

## Web-accessible data

- *Children's National Medical Center (HopGenes Program in Genomic Applications)*
  - <http://microarray.cnmcresearch.org/pgadatatable.asp>
  - Over 500 microarrays from many human diseases, including muscular dystrophy, dermatomyositis, and heart failure, as well as mouse, rat and dog models of spinal cord injury, pulmonary disease, and heart failure.
- *Human Gene Expression Index*
  - <http://www.hugeindex.org/databases/index.html>
  - 121 microarrays from 19 normal human tissues.

---

---

---

---

---

---

---

---

## Web-accessible data

- *Stanford Microarray Database*
  - <http://genome-www5.stanford.edu/MicroArray/SMD/>
  - 3290 microarrays measured across 11 species, from 80 publications.
- *National Center for Biotechnology Information Gene Expression Omnibus*
  - <http://www.ncbi.nlm.nih.gov/geo/>
  - 2354 microarrays from 105 types of microarrays, measured across 78 experiments.
- *TREX Program in Genomic Applications*
  - <http://pga.tigr.org/data.shtml>
  - 565 microarrays from mouse and rat models of sleep, infection, hypertension, and pulmonary disease.

---

---

---

---

---

---

---

---

## Cluster

- An absolute standard tool in microarray analysis
- <http://rana.lbl.gov/EisenSoftware.htm>
- Performs a variety of types of cluster analysis and other types of processing on large microarray datasets
  - hierarchical clustering
  - self-organizing maps (SOMs)
  - k-means clustering
  - principal component analysis
- For Windows 95/98/NT only

---

---

---

---

---

---

---

---

## GeneCluster 2.0

- Whitehead Institute
- <http://www-genome.wi.mit.edu/cancer/software/genecluster2/gc2.html>
- Java based
  - Nearest neighbor
  - Self-organizing maps (SOMs)
  - Marker analysis

---

---

---

---

---

---

---

---

## Genesis

- Free for the moment
- <http://genome.tugraz.at/Software/GenesisCenter.html>
- Very polished, Java based
  - Hierarchical clustering
  - Self-organizing maps (SOMs)
  - Principal components
  - Support vector machines

---

---

---

---

---

---

---

---

## TIGR MEV

- Multi-experiment viewer
- <http://www.tigr.org/softlab>

---

---

---

---

---

---

---

---

## Relnet

- Java-based software to make relevance networks
- <http://www.chip.org/relnet>

---

---

---

---

---

---

---

---

## GenMAPP

- Gene Microarray Pathway Profiler
- Paints pathway pictures in the context of microarray measurements
- <http://www.genmapp.org>

---

---

---

---

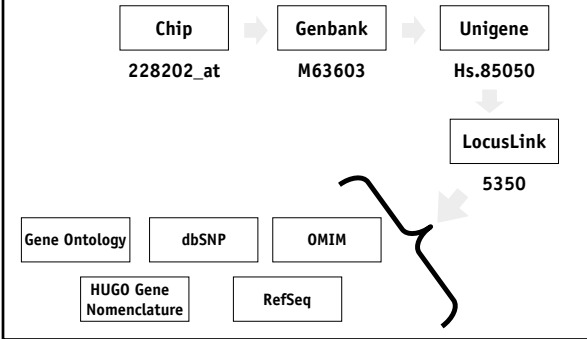
---

---

---

---

## Accession Numbers




---

---

---

---

---

---

---

---

## Looking up results

- Database Referencing of Array Genes Online
  - <http://www.kennedykrieger.org/pevsnerlab/dragon.htm>
- Unchip
  - <http://www.unchip.org>
- Resourcerer
  - [http://pga.tigr.org/tigr-scripts/nhgi\\_scripts/resourcerer.pl](http://pga.tigr.org/tigr-scripts/nhgi_scripts/resourcerer.pl)
- Netaffx
  - <http://www.netaffx.com>

---

---

---

---

---

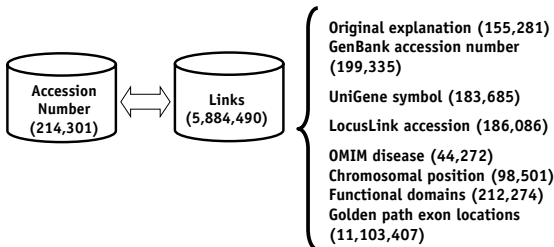
---

---

---

## Unchip translation tables

- Databases linking Affymetrix microarray findings to national databases solely using the data files (public information)




---

---

---

---

---

---

---

---

## www.unchip.org

- “Before and after” example
  - 33640\_at: Cluster incl. Y14768: Homo sapiens DNA, cosmid clone
  - Unchip: Allograft inflammatory factor 1
- Search for “95654\_at”
  - valyl-tRNA synthetase 2, heat shock protein cognate 70, etc.
- Search for “M35416\_at”
  - Affymetrix: RALB V-ral simian leukemia viral oncogene homolog B
  - Edition 2: v-ral simian leukemia viral oncogene homolog B (ras related; GTP binding protein)
  - Edition 3: stathmin 1/oncoprotein 18
- Can find official names, symbols, and synonyms for accessions
- Can search for expression by functional domain or meaning
- Available as database and web-site, at [www.unchip.org](http://www.unchip.org)
- Updated periodically

---

---

---

---

---

---

---

---

---

---

---

---

---

---

---

---

---

---

---

---

## Discovery portals

- Binding data and the tools that operate on them
- Physgen
  - <http://pga.mcw.edu>
- PGAGene
  - <http://pgagene.chip.org>
- NCBI Geo
  - <http://www.ncbi.nlm.nih.gov/geo/>

---

---

---

---

---

---

---

---

---

---



## Cross-PGA results integration

- Integrated view of PGA gene-centric data
- Available today at [pgagene.chip.org](http://pgagene.chip.org)
- Data from over 1,200 microarrays publicly available
- Contains and references 5.9 million pieces of PGA data
- No additional work required from the external sites

Kyungjoon Lee, Atul Butte. PGAGENE: integrating quantitative gene-specific results from the NHLBI Programs for Genomic Applications. In press, Bioinformatics.

---

---

---

---

---

---

---

---

## Cross-PGA results integration

- Uses LocusLink as common denominator
- Links microarrays, SNPs and mutations
- Out of 156,386 genes in LocusLink
  - 29,320 have been measured on a PGA microarray
  - 485 have been sequenced for SNPs
  - 4 have been sequenced for mutations

---

---

---

---

---

---

---

---

## *in vivo, in vitro, in http*

- Let's try a live example
- Start with a rat model QTL / physiological finding
- Go to rat genomic map
- Move to multi-species expression data

---

---

---

---

---

---

---

---

Please refer to the Medical College  
of Wisconsin's Programs for  
<http://pga.mcw.edu/>

---

---

---

---

---

---

---

---

Please refer to the Medical College  
of Wisconsin's Programs for  
<http://pga.mcw.edu/>

---

---

---

---

---

---

---

---

Please refer to the Medical College  
of Wisconsin's Programs for  
<http://pga.mcw.edu/>

---

---

---

---

---

---

---

---

Please refer to the Medical College  
of Wisconsin's Programs for  
<http://pga.mcw.edu/>

---

---

---

---

---

---

---

---

Please refer to the Medical College  
of Wisconsin's Programs for  
<http://pga.mcw.edu/>

---

---

---

---

---

---

---

---

Please refer to the Medical College  
of Wisconsin's Programs for  
<http://pga.mcw.edu/>

---

---

---

---

---

---

---

---

Please refer to the Medical College  
of Wisconsin's Programs for  
<http://pga.mcw.edu/>

---

---

---

---

---

---

---

---

Please refer to the Medical College  
of Wisconsin's Programs for  
<http://pga.mcw.edu/>

---

---

---

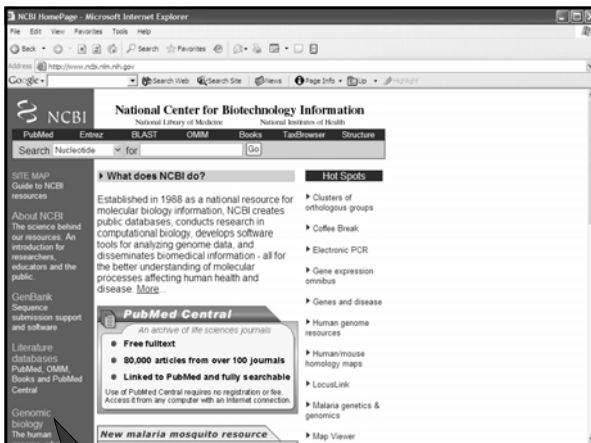
---

---

---

---

---



---

---

---

---

---

---

---

---





