

Section V. Parts Identification

General Parts Identification

To order parts, you must include with your order the model number and serial number as shown on the nameplate attached to the end of the platform on lift.

Item	Description
1	Base Frame Assembly
2	Top Frame/Deck Assembly
3	Not Used
4	Not Used
5	Not Used
6	Not Used
7	Roller Bearing Assembly
8	Not Used
9	Pivot Pin /Shaft Assembly
10	Not Used
11	Not Used
12	Not Used
13	Hydraulic Cylinder Crosshead Assembly
14	Hydraulic Cylinder Base Pin Assembly
15	Hydraulic Cylinder Assembly
16	Not Used
17	Flow Control
18	Hydraulic Tank
19	Motor
20	Pump
21	Solenoid Valve
22	Foot Switch/Push Button (Not Shown)
23	Inner Lift Arm Assembly
24	Outer Lift Arm Assembly
25	Nameplate/Serial Number Plate (Not Shown)
26	Safety Label Kit (Not Shown)

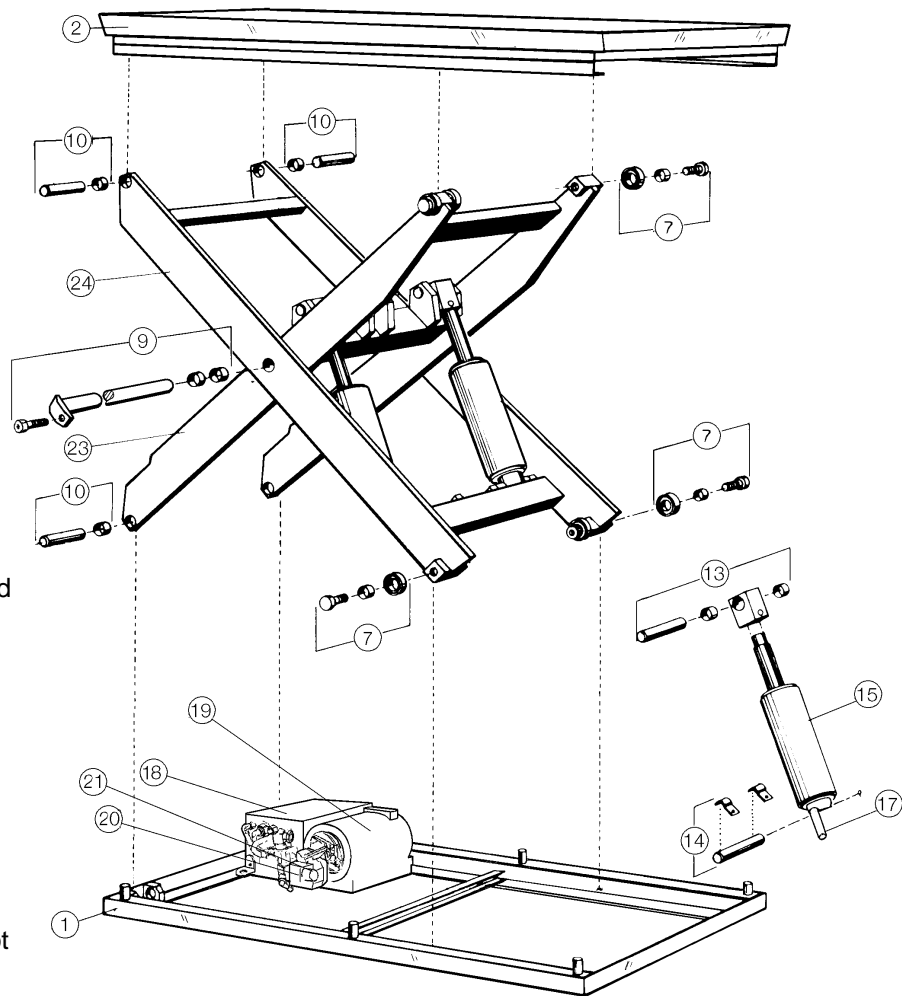


Fig. 7
Exploded Drawing and Parts List
TorkLift

DANGER

DO NOT ATTEMPT TO REMOVE OR LOOSEN CENTER PIVOT PINS, HINGE PINS OR ARM ROLLERS. Removing or loosening these parts could cause the lift to suddenly collapse, **EVEN IF THE MAINTENANCE DEVICE IS ENGAGED.** If any of these components require service: Remove all loads from the lift platform, lock-out power to the lift and tag as unsuitable for service, clear the area surrounding the unit, contact manufacturer for instructions.

DANGER

DO NOT remove, adjust or tamper with the flow control valves installed at the base of the hydraulic cylinder. Tampering with them could cause the flow control valve to fail, which would prevent the valves from slowing the descent of the lift in the event of a hose failure. A free-falling lift can cause severe personal injury or death to persons working in its vicinity, as well as causing damage to the lift structure and components.