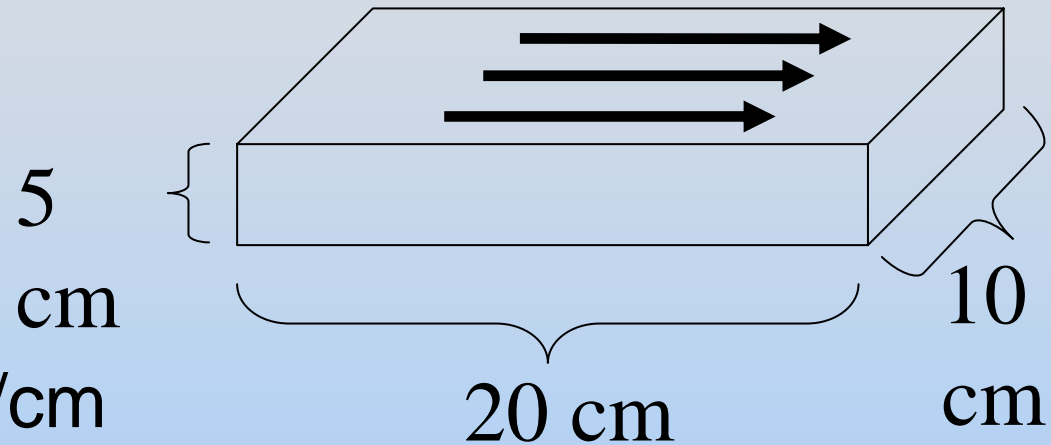


Concept Question: Current Density

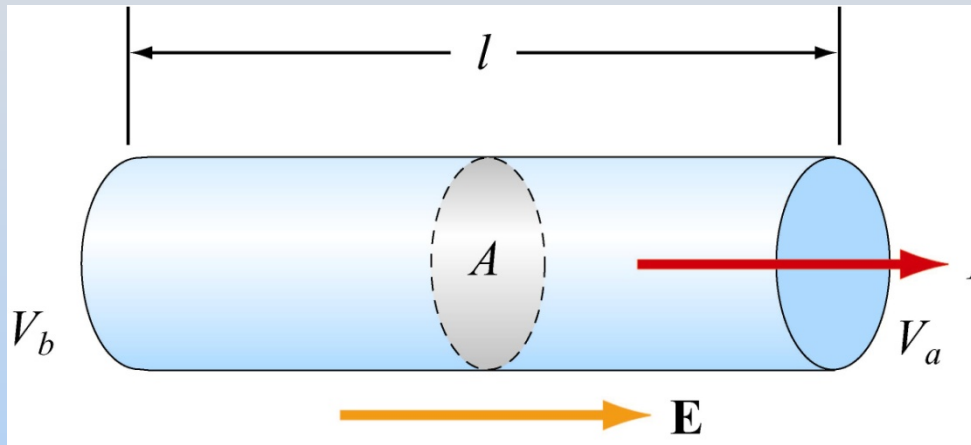
A current $I = 200$ mA flows in the above wire. What is the magnitude of the current density J ?



1. $J = 40$ mA/cm
2. $J = 20$ mA/cm
3. $J = 10$ mA/cm
4. $J = 1$ mA/cm²
5. $J = 2$ mA/cm²
6. $J = 4$ mA/cm²
7. I don't know

Concept Question: Resistance

When a current flows in a wire of length L and cross sectional area A , the resistance of the wire is



1. Proportional to A ; inversely proportional to L .
2. Proportional to both A and L .
3. Proportional to L ; inversely proportional to A .
4. Inversely proportional to both L and A
5. Do Not Know

MIT OpenCourseWare
<http://ocw.mit.edu>

8.02SC Physics II: Electricity and Magnetism
Fall 2010

For information about citing these materials or our Terms of Use, visit: <http://ocw.mit.edu/terms>.